

NOTE
 1. ALL CAPACITORS ARE 0.01μF UNLESS OTHERWISE NOTED
 2. ALL TRANSISTORS ARE 2SC945AR UNLESS OTHERWISE NOTED

PLL 1

Q38 MC-14504B
 16 15 14 13 12 11 10 9
 1 2 3 4 5 6 7 8

Q41 MB-84040B
 16 15 14 13 12 11 10 9
 1 2 3 4 5 6 7 8

Q42 MB-8718
 28 23 22 21 20 19 18 17 16 13 14 13
 1 2 3 4 5 6 7 8 9 10 11 12

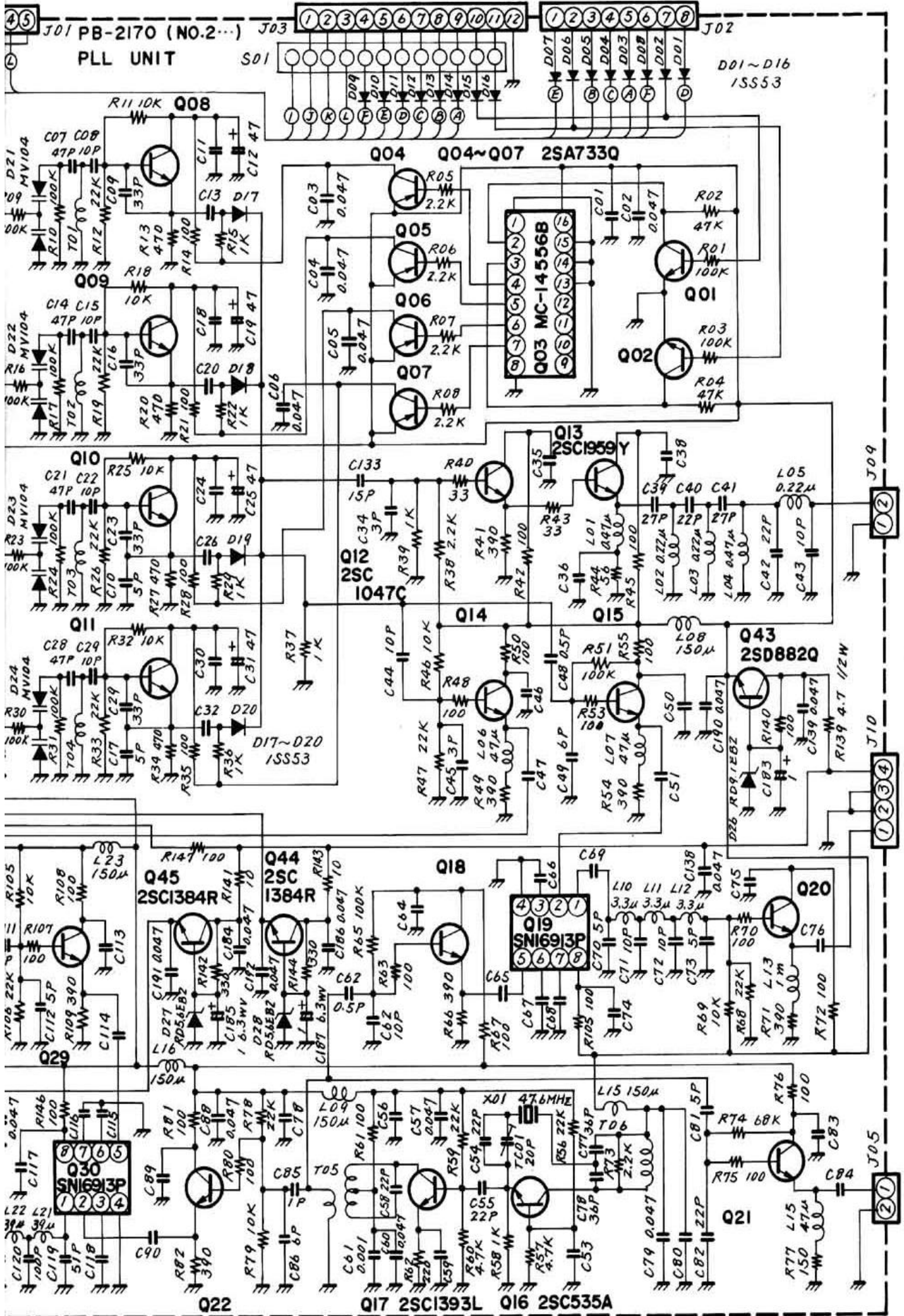
Q36 HD-10551P
 8 7 6 5 4 3 2 1

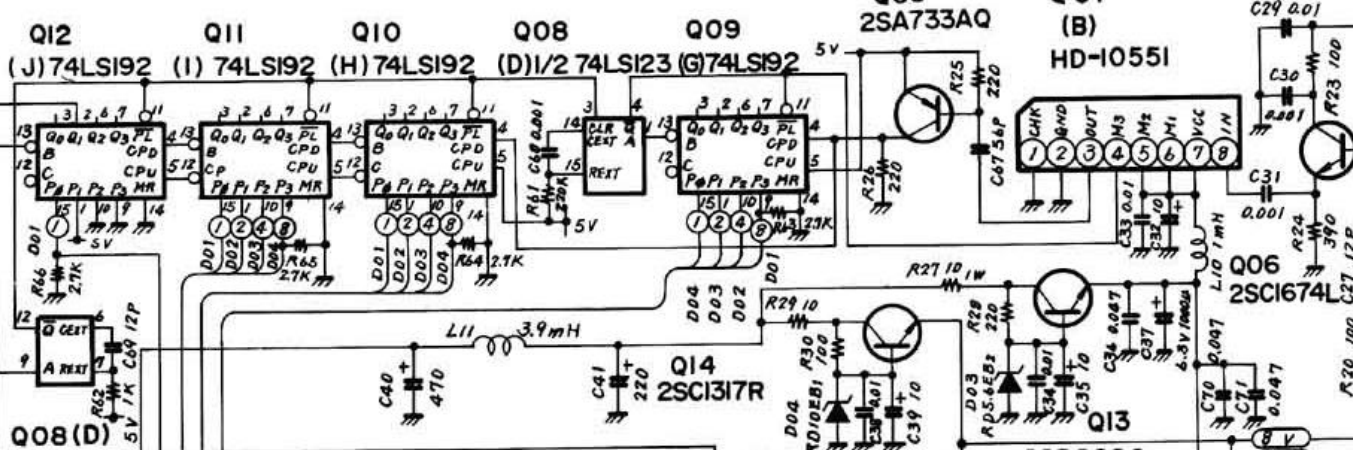
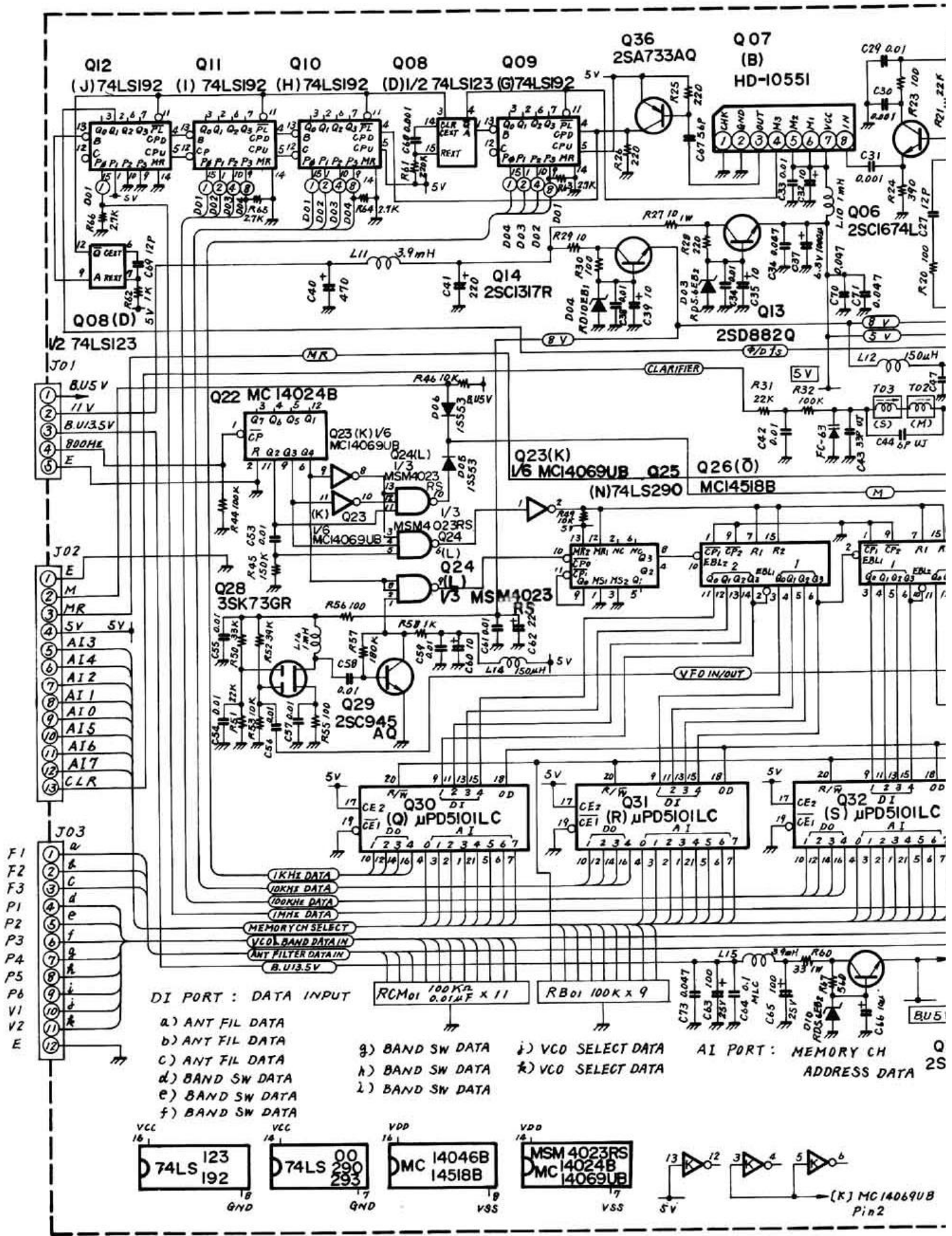
Q34 Q35 2SC1393L
2SC1674L

Q33 NI6913P
 8 7 6 5
 1 2 3 4

Q30 NI6913P
 8 7 6 5
 1 2 3 4

Q25 MC-4044P **Q26 Q27 2SC900E x2**





DI PORT : DATA INPUT

- a) ANT FIL DATA
- b) ANT FIL DATA
- c) ANT FIL DATA
- d) BAND SW DATA
- e) BAND SW DATA
- f) BAND SW DATA

- g) BAND SW DATA
- h) BAND SW DATA
- i) BAND SW DATA
- j) BAND SW DATA

- k) VCO SELECT DATA
- l) VCO SELECT DATA

AI PORT : MEMORY CH ADDRESS DATA

